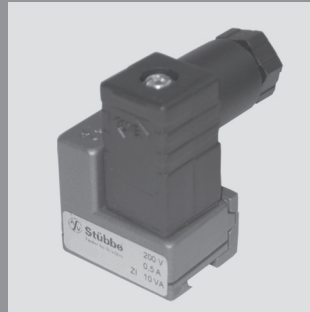


Limit reed switch ZE 951 for DFM 165 - 350

bistable



Advantage

- reliable limit value determination using reed switches
- direct power control of consumers with contact protection relay ZE 3061
- 2-point control for monostable switches with ZE 3060
- freely adjustable flow limit value - fastened with a clamping piece to the measuring tube dovetail guide
- reliable, simple installation, easy to retrofit in existing plants

Description

- The limit reed switch ZE 951 serves as signal transmitters of the flow values. They are clamped to the dovetail guides and signal when the magnetic float in the measuring tube has reached or exceeded the signal transmitter position. As soon as this happens, a contact in the signal transmitter, as the actual switching element (reed switch), opens or closes.

Function

- Type ZE 951 bistable (normally open contact/normally closed contact) The contact is closed (normally open contact) or opened (normally closed contact), as soon as the magnetic float moves up from below or is at the direct height of the signal transmitter. If the float goes above the signal transmitter, the switching state remains unaffected. The switching state is only cancelled if the float goes below the signal transmitter.

Body

- ABS

Connector Plug

- according to DIN EN 175301-803

Voltage

- 230V AC 50/60 Hz

Switching Current

- max. 0,5 A

Electric Switching Capacity

- max. 10 VA

Resistance

- < 150 mOhm

Insulation Resistance

- > 10¹⁰ Ohm

Ambient Temperature

- 0°C to +55°C

Hysteresis

- 10 mm

Type Of Protection

- IP 65 with mounted connector plug

Connection Cable

- nominal cross-section: 1,5 mm²
- cable outside diameter: 4...6 mm

Pin Assignment

- the polarity of the connections has no influence on the function

Colour

- anthracite grey

Accessories

- 2-Point Control Unit ZE 3060 (Article number 136245, 1326244)
- Contact Protection Relay ZE 3061 (Article number 136240, 136239)

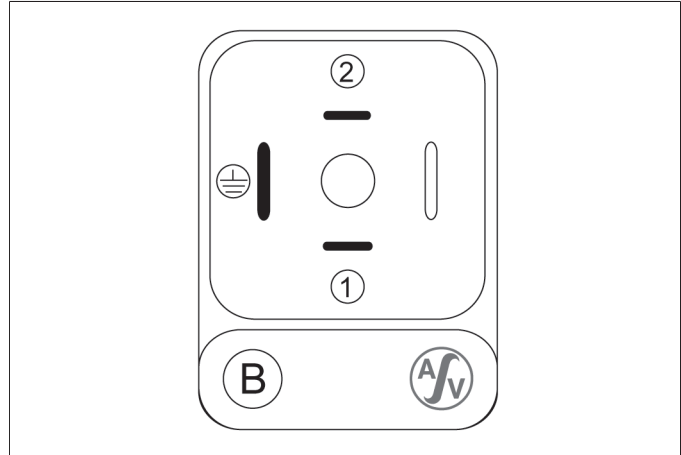
Measurement, Limit reed switch ZE 951 for DFM 165 - 350

Utilisation



Flowmeter With Float DFM

Electrical connection



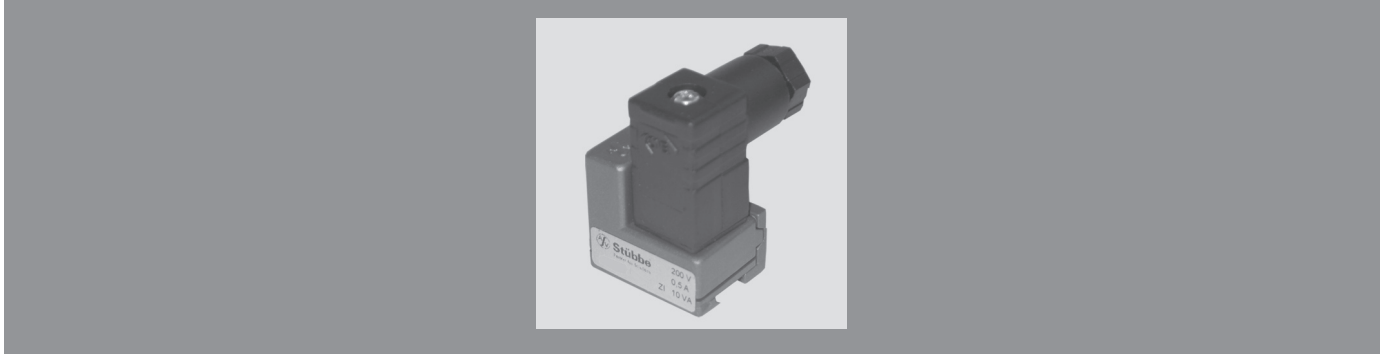
the polarity of the connections has no influence on the function

Operating note

Do not exceed the current data or the switching capacity. For this reason, always fit the contact protection relay ZE 3061 if a power circuit is intended.

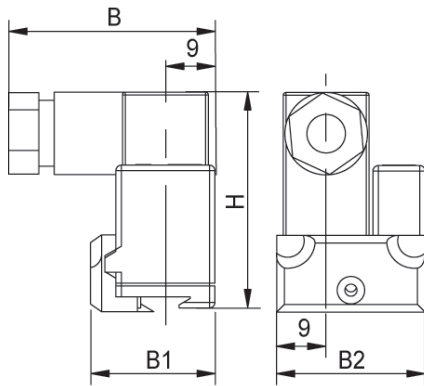
ZE 951 Prior to commissioning/first start-up it is important that the float passes the switch ZE 951 three times in order to cancel out any possible monostable behaviour.

Measurement, Limit reed switch ZE 951 for DFM 165 - 350



body ABS		body ABS		
size pressure range	version		bistable (NC)	bistable (NO)
Connection	sealing	ident No.		
general general	-		113131	48119

Measurement, Limit reed switch ZE 951 for DFM 165 - 350



dimensions

version	bistable (NC)	bistable (NO)
dimensions(mm)		
B	37.5	37.5
B1	22.6	22.6
B2	27	27
H	40	40